

Cubit (Ice) System Single-sided Desk

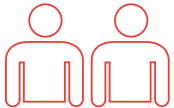
Assembly Instructions

Tools Required: Powered screwdriver.

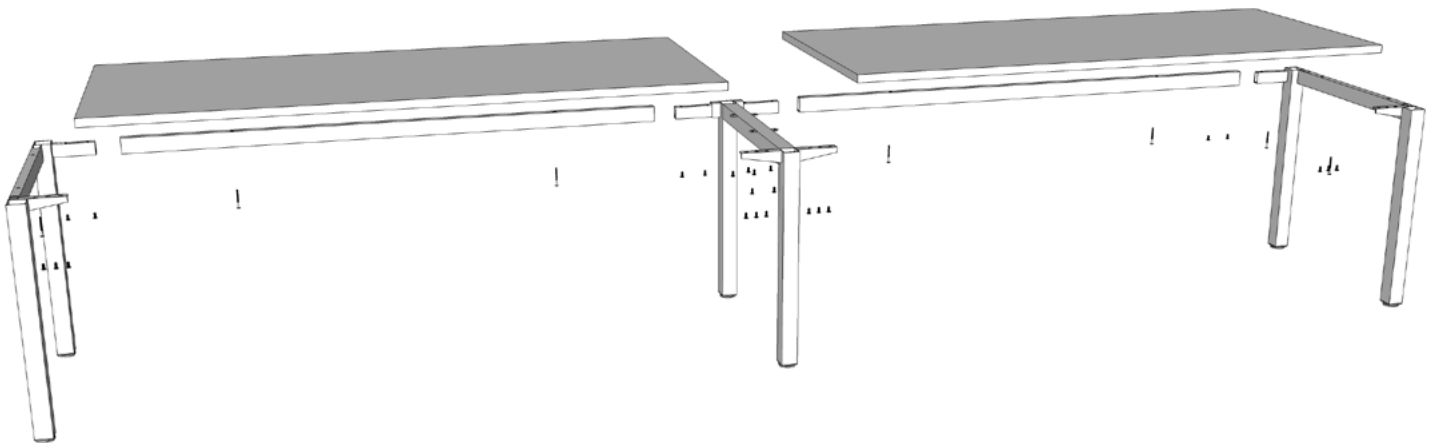


Assembly Instructions

- To prevent possible scratches or damage, assemble the desk upside down on a soft surface such as a blanket, carpet or packaging.
- Attach Leg to the top assembly by using bolts, spring washer, flat washer. Tighten using the allen wrench.



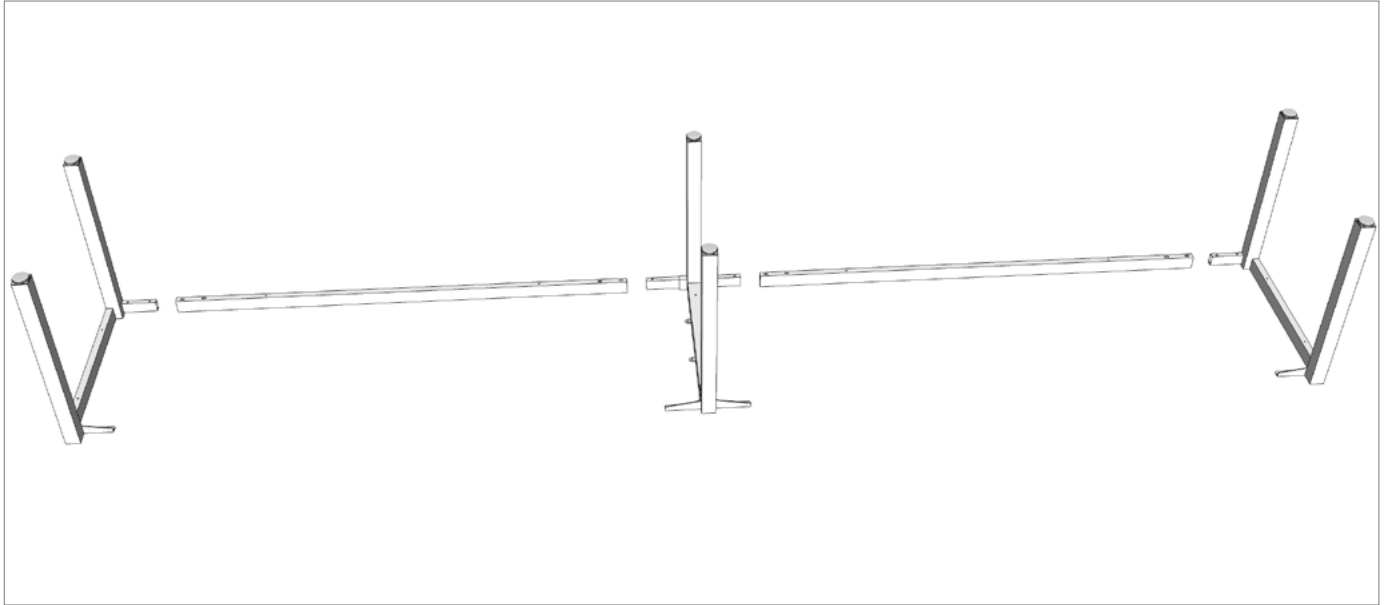
Recommended
2-person Step



Assembly Instructions

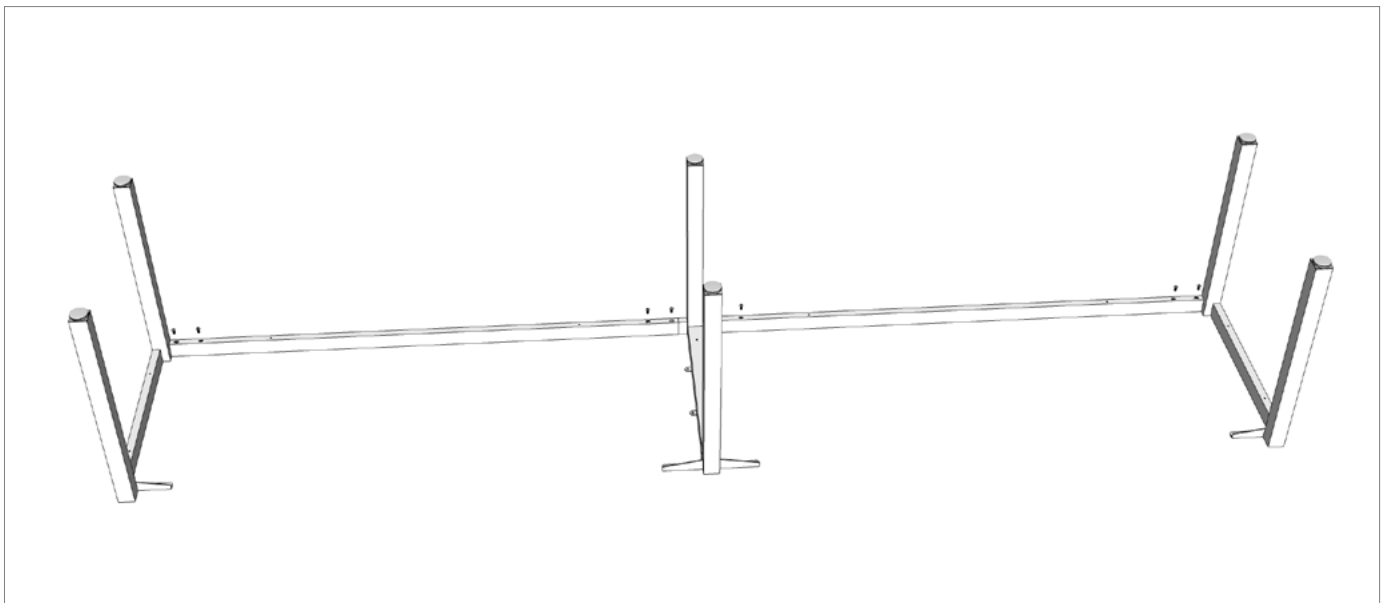
Step 1

Loosely assembly legs and rails together.



Step 2

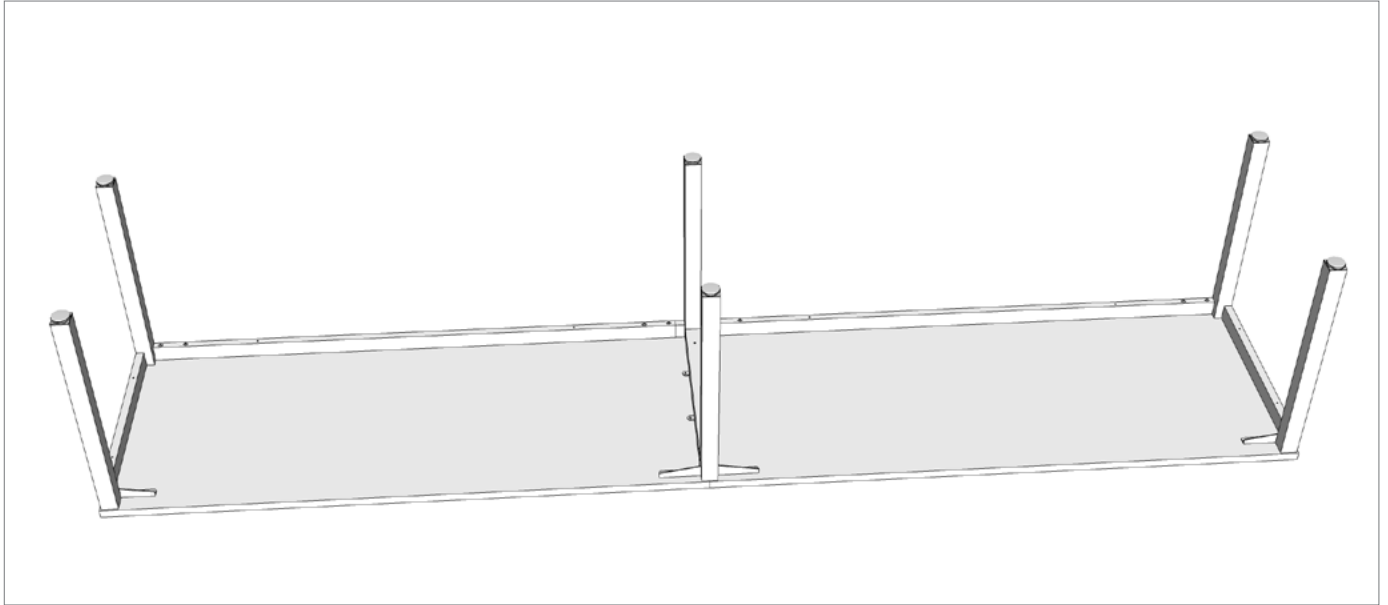
Tighten legs and rails with provided screws.



Assembly Instructions

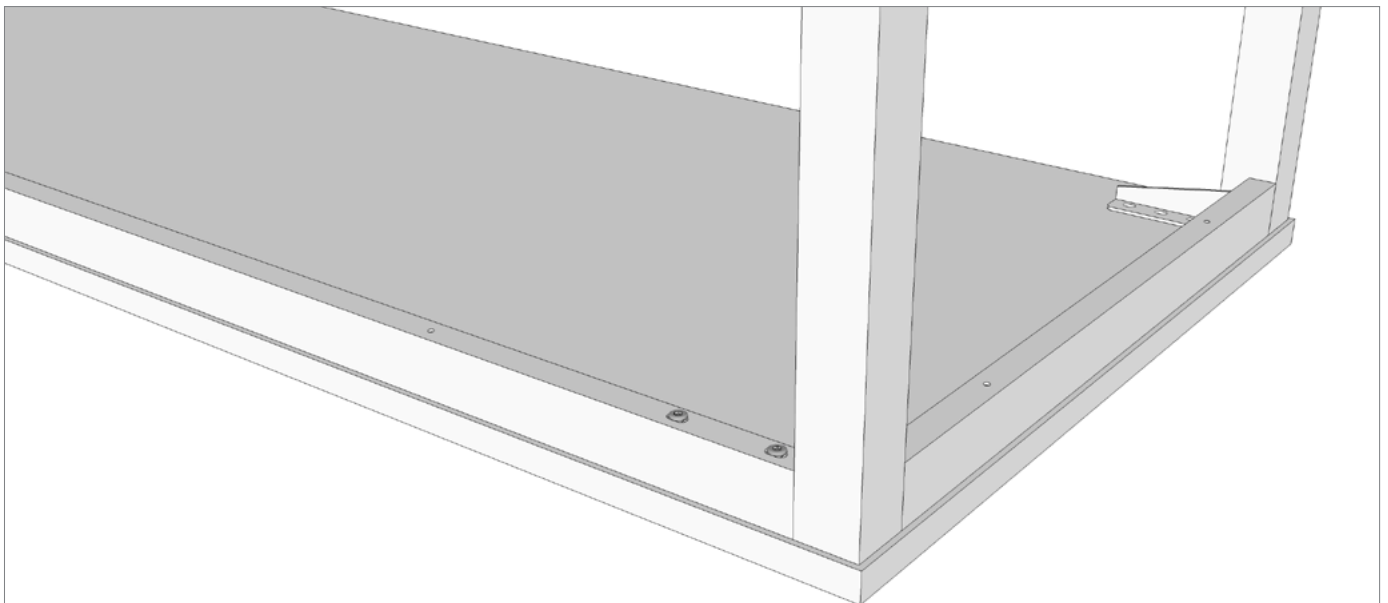
Step 3.1

Place the assembled frame on the desktops. Where desktops butt together, make sure these are fitted tight together.



Step 3.2

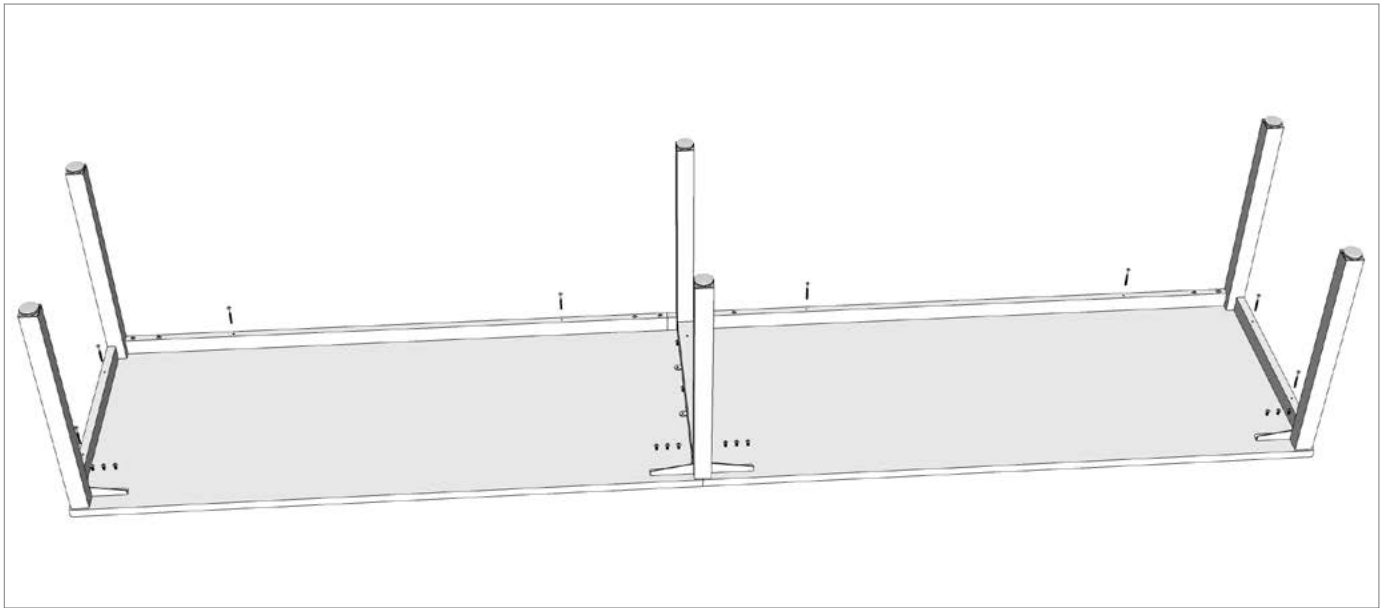
Allowing 5mm overhang over metal frame on each sides.



Assembly Instructions

Step 4

Fix desk frame to desktops with provided screws, and fully tighten all rail to frame screws.



Completed

